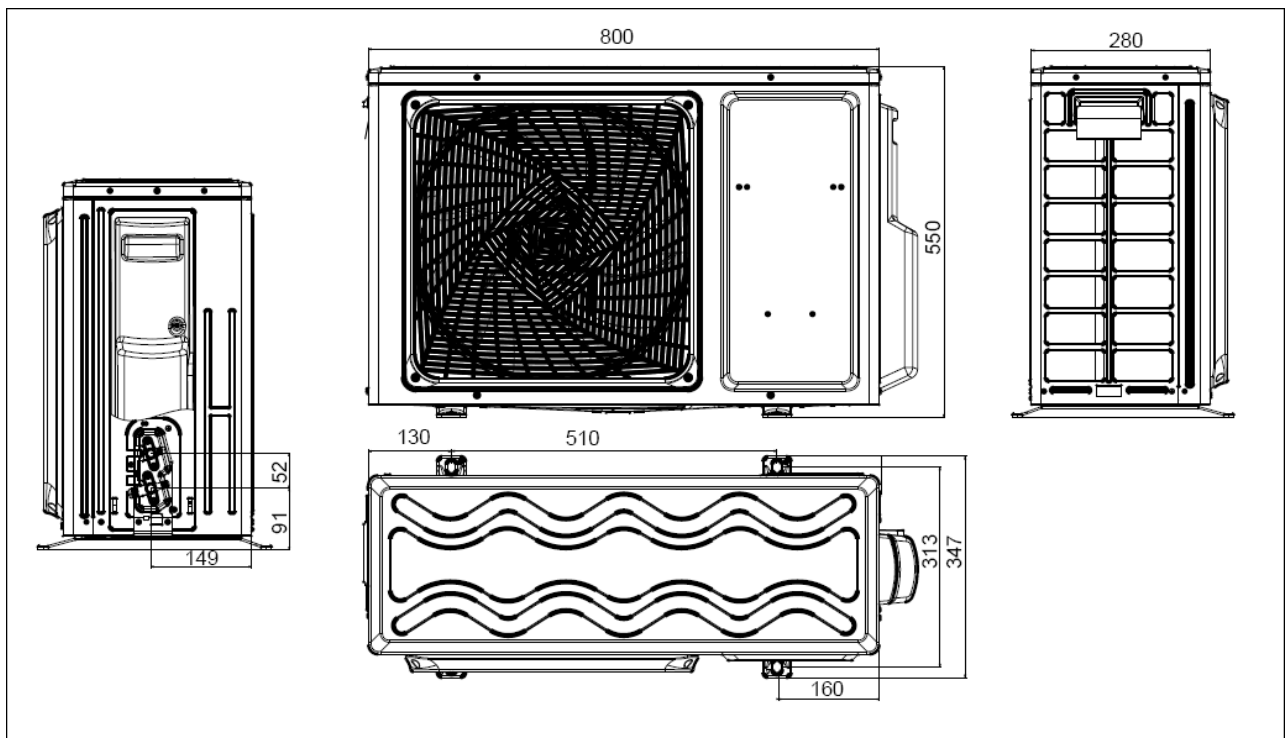


### 8. Dimensional drawings



### 9. Center of gravity

