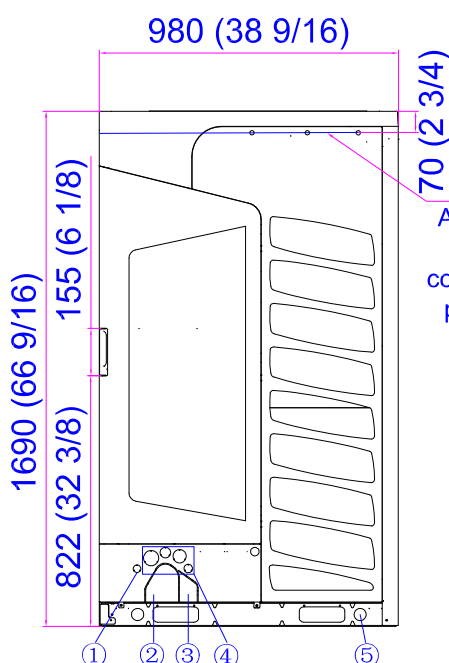
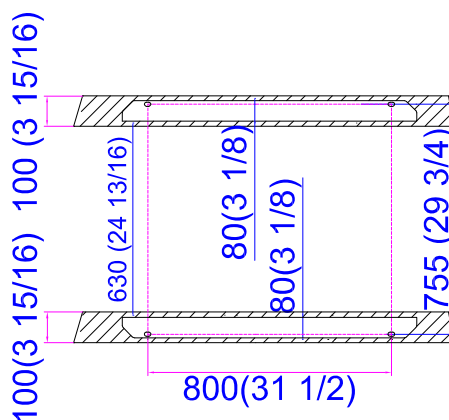
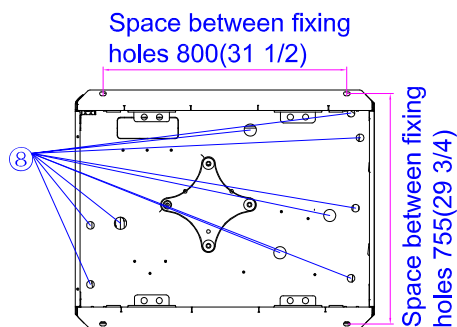


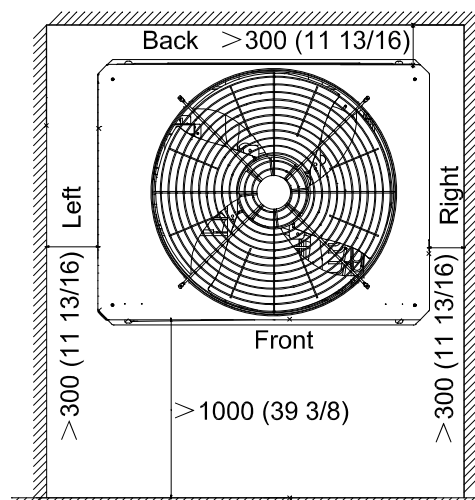
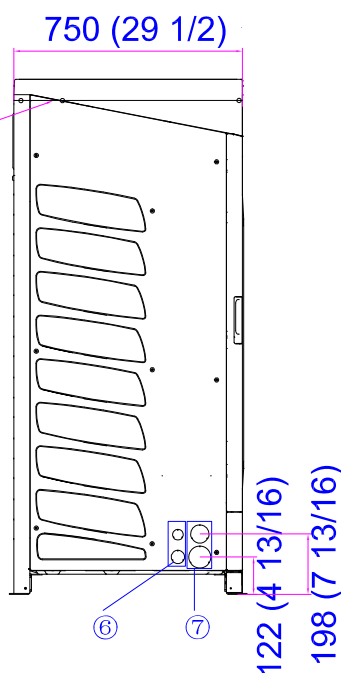
## 4. Dimension

AV08/10/12/14/16IMVEVA

Unit:mm (inch)



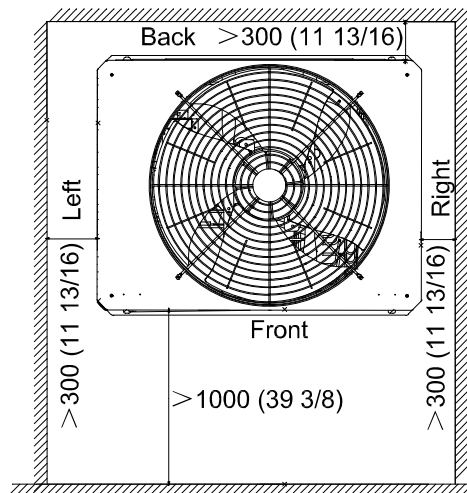
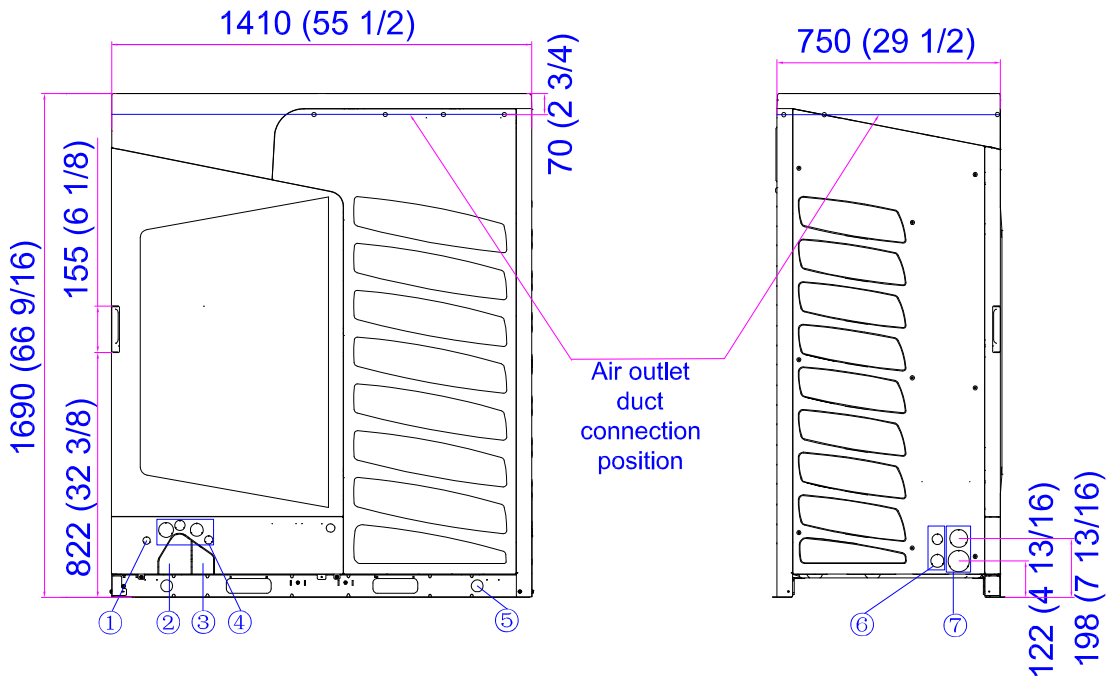
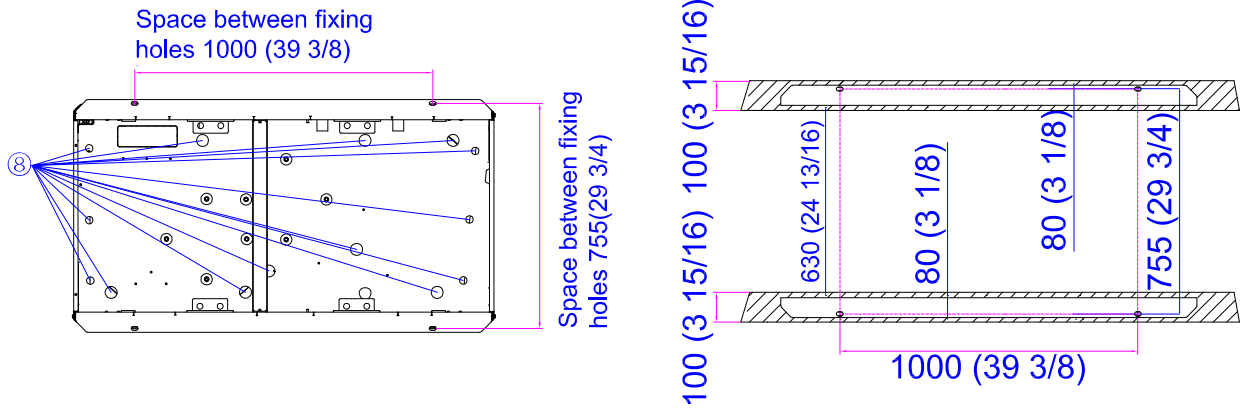
Air outlet duct connection position



No.	Name	Remark
①	Signal line hole (Ø25)	Using the rubber plug in the unit's attachment for protection
②	Pipe outlet for 2-pipe system	
③	Pipe outlet for 3-pipe system	
④	Power supply hole (Ø50 / Ø35)	According to the wire diameter size to choose the appropriate line hole, and using the line sheath in the unit's attachment for protection.
⑤	Hoisting hole (Ø40)	
⑥	Power supply of signal line hole (Ø35 / Ø44)	
⑦	Refrigerant pipe outlet (Ø60 / Ø72)	
⑧	Drain hole	

AV18/20/22/24/26IMVEVA

Unit:mm (inch)



No.	Name	Remark
①	Signal line hole (Ø25)	Using the rubber plug in the unit's attachment for protection
②	Pipe outlet for 2-pipe system	
③	Pipe outlet for 3-pipe system	
④	Power supply hole (Ø50 / Ø35)	According to the wire diameter size to choose the appropriate line hole, and using the line sheath in the unit's attachment for protection.
⑤	Hoisting hole (Ø40)	
⑥	Power supply of signal line hole (Ø35 / Ø44)	
⑦	Refrigerant pipe outlet (Ø60 / Ø72)	
⑧	Drain hole	